

# Compat<sup>®</sup> Flexibaggle<sup>®</sup>

## Foldable Empty Enteral Reservoir 500mL

The Compat<sup>®</sup> Flexibaggle<sup>®</sup> 500mL foldable empty reservoir with ENPlus port is intended for the administration of enteral nutrition and / or fluids to patients.

### Features at a glance

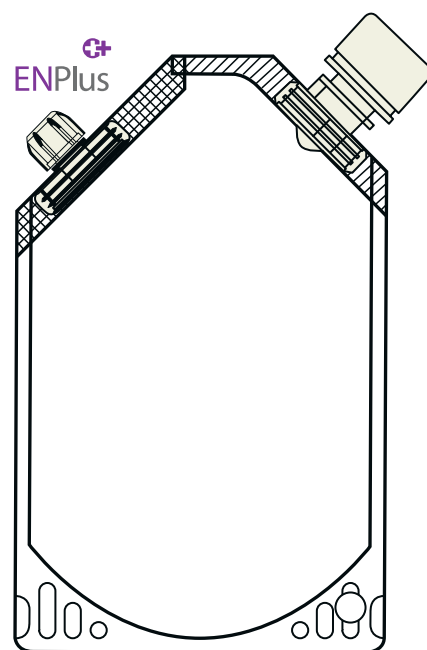
The Compat<sup>®</sup> Flexibaggle<sup>®</sup> 500mL foldable empty reservoir with ENPlus port has been designed to help improve patient care.

**Ease of use:** Its **self-standing** properties and its **wide-mouth port** makes it very **easy to handle** and helps avoid accidental spills. Its fold-ability saves on **storage space** enabling it to easily be at hand when needed.

**Ambulatory use:** Each port of the Compat<sup>®</sup> Flexibaggle<sup>®</sup> 500mL features a **strong screw closure** which **helps prevent leaks** making it ideal for **ambulatory use**, for instance together with the Compat Ella<sup>®</sup> backpack.

**Patient safety:** Compat<sup>®</sup> Flexibaggle<sup>®</sup> is delivered sterile and includes an ENPlus connector made according to **ISO 18250-3**. The ENPlus connector is designed to be **IV incompatible** to promote **patient safety** by helping to avoid accidental misconnections. Compat<sup>®</sup> Flexibaggle<sup>®</sup> is made of polyethylene, a food friendly material which is also **DEHP, BPA and Latex-Free\***.

**Eco-friendly:** Compat<sup>®</sup> Flexibaggle<sup>®</sup> is foldable, reducing the **environmental impact** of shipping.

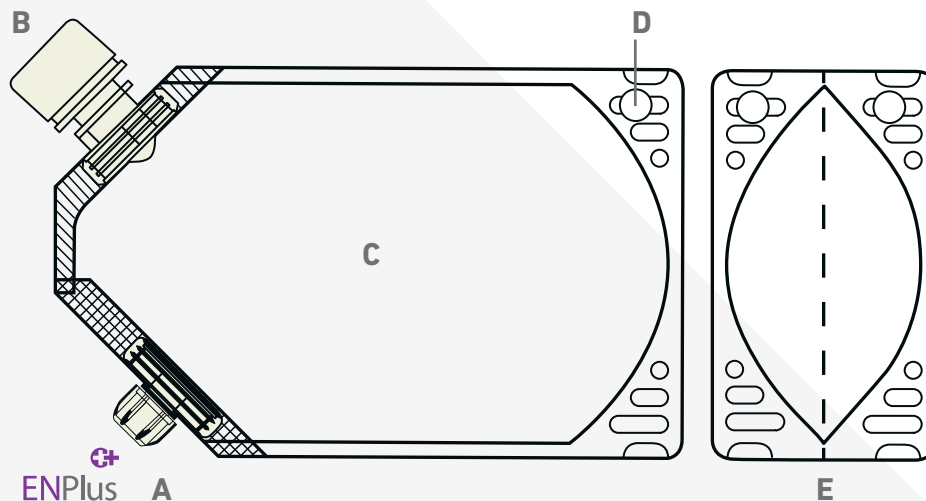


### Ordering Information

Product Name	Product Code	Qty/Box
Compat <sup>®</sup> Flexibaggle <sup>®</sup> 500mL	12440917	30

*Patient Care. Our Priority.*

# Foldable Empty Enteral Reservoir 500mL



## Components

- A ENPlus 'enteral only' feeding port with revolving lock and cap
- B Wide mouth fill port and cap with screw closure
- C Flexibaggle® 500 mL container with graduations (250 and 500 mL) and tags for patient name and other important information (Formula, flow rate and date)
- D Pole clamp attachment point
- E Foldable self-standing base of the bag as viewed from the bottom

## Specifications

- Wide-mouth port:** Nominal inner diameter:  $\pm 21,5$  mm.
- Bag size:** Max. nominal bag size:  $\pm 130 \times 210$  mm.
- Sterile:** Sterilized with Ethylene Oxide.
- Packing:** Individually packed in cases of 30 pieces (only 40 x 22 x 19 cm).
- Storage:** Store at room temperature. Keep away from sunlight and humidity.
- Shelf life:** 5 years from production date. Expiry date on the package.
- Duration of use:** 24 hours. Single Use.
- ISO Standard:** ENPlus connector made according to ISO 18250-3.
- CE Mark:** Complies with the European Medical Devices Directive 93/42/EEC. A CE Certification has been issued by an accredited Notified Body: TÜV SÜD (CE0123).
- Legal manufacturer:** Cedic Srl, Via Liberazione 63/9, IT-20068 Peschiera Borromeo (MI).
- Sustainability:** Environmental management system complies with ISO 14001:2015.
- Materials:** Bag: PE (Polyethylene). DEHP, BPA and Latex-free\*. Additional details on request.
- Country of origin:** Made in Italy.

\*BPA, Latex and Phthalates including DEHP are not intentionally added during the manufacturing process.

To obtain further information please contact your Compat® representative or go to [www.compat.com](http://www.compat.com)  
\*Unless stated otherwise, all trademarks are used with permission.

AXI00033 REV.0 11 DECEMBER 2019

# Compat®