

Compat ella[®]

Compat Ella[®] Backpack

The Compat Ella[®] Backpack is intended for use with the Compat Ella[®] Enteral Feeding Pump and the Compat Ella[®] Backpack Insert/Table Stand, by either adults or children.

Features at a Glance

Smart Design:

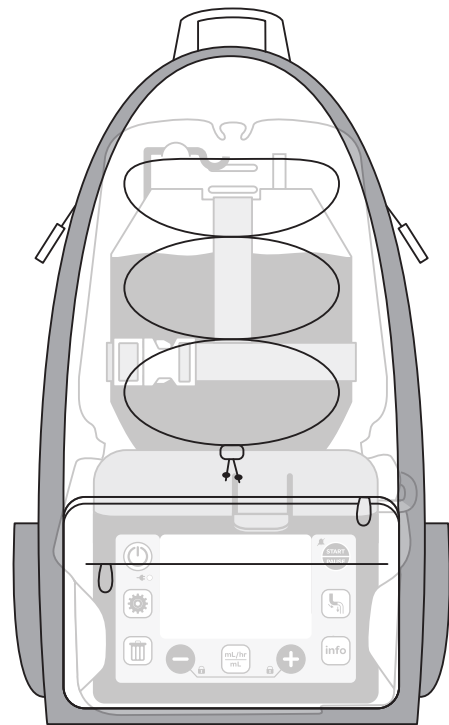
- Large zippered compartment makes it **easy to install and remove Compat Ella[®] Pump**, Administration Set, and formula – without disconnection.
- Designed to work with the Backpack Insert/Table Stand for **ultimate convenience**.
- Administration Set tubing exit on left or right side.
- Padded back for **patient comfort** with chest and hip straps for **stability**.

Convenient:

- Compatible with most tube feed containers up to 1000 mL.
- Zippered flap for **quick access** to check or program Compat Ella[®] Pump.
- Wide range of size adjustments makes it suitable for use by **children or adults**.
- Removable messenger strap gives **additional portability options** for wheelchair or as a messenger bag.

Robust and Modern:

- High quality materials, zippers and **water resistant** fabric protects Compat Ella[®] Pump on the go.
- Machine washable at 30°C.
- Discreet **modern and compact design** in black and grey.

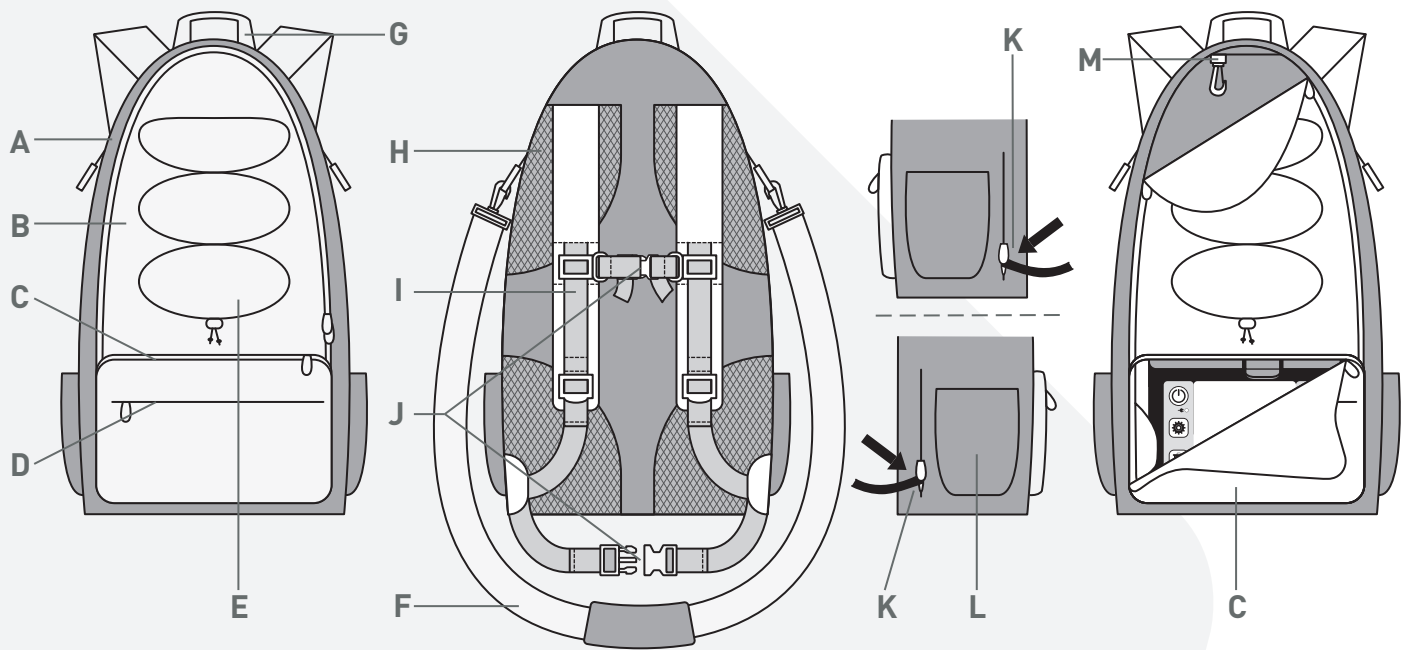


Ordering Information

Product Name	Product Code	Qty/Box
Compat Ella [®] Backpack	12277736	1

Have you met Compat Ella[®]?

Compat Ella® Backpack



Components

- A Main compartment with dual zippers
- B 420D Nylon Ripstop fabric, with water resistant coating
- C Front flap for quick access to the pump
- D Zippered accessory compartment
- E Elastic webbing to secure small items
- F Removable wheelchair/messenger strap
- G External backpack hanger
- H 3D mesh padding for patient comfort
- I Adjustable shoulder straps
- J Adjustable chest and hips straps
- K Zippered side openings to allow tubing to exit from either left or right side
- L Side compartments for small accessories
- M Internal nutrition hanger

Specifications

- Packing:** Individually packed in cases of 1 piece (40 × 24 × 4,5 cm).
- CE Mark:** Complies with the European Medical Device Regulation 2017/745.
- Classification:** Class I.
- Legal manufacturer:** Axiom MTech S.A., Allée de la Petite Prairie 4, CH-1260 Nyon, Switzerland.
- Cleaning:** Machine wash at 30°C. Do not iron. Do not bleach. Do not tumble dry.
- Materials:** 420D Nylon Ripstop fabric.
- Country of origin:** Made in China.

To obtain further information please contact your Compat® representative or go to www.compat.com
*Unless stated otherwise, all trademarks are used with permission.
This document does not replace the original Instructions for Use which must be read before use.

AXI00013 REV.3 05 DECEMBER 2022

Compat®